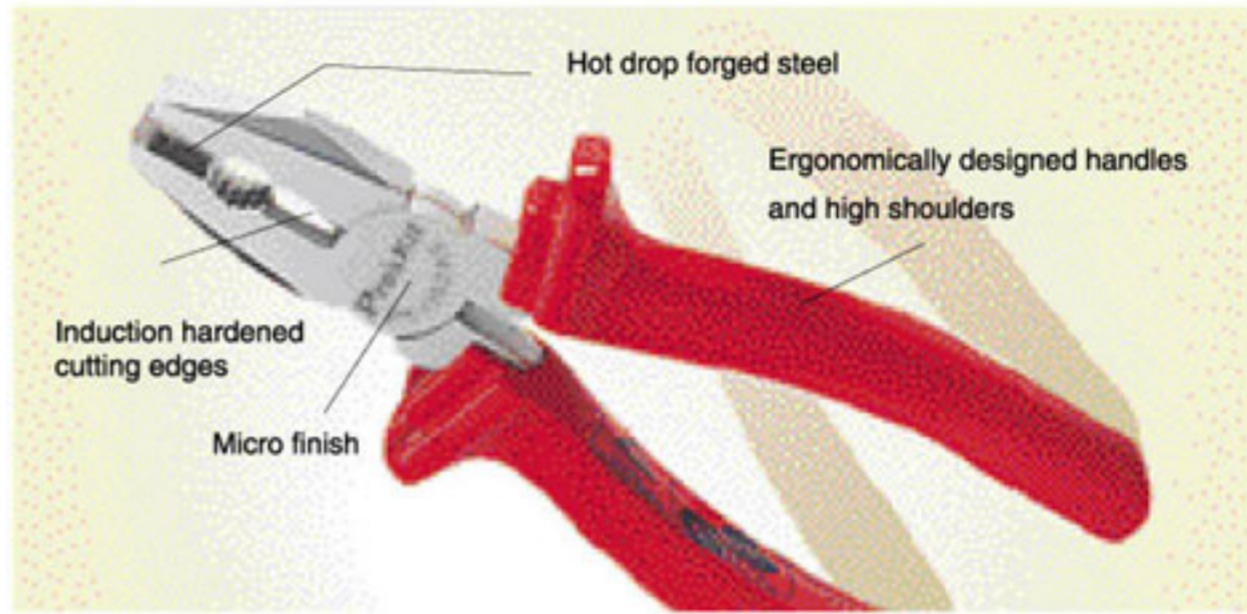


Electronic Pliers & Cutters

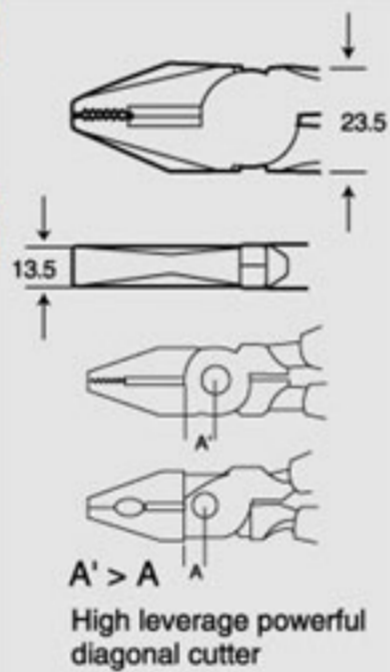


Steel alloy pliers are drop-forged, hardened, and tempered for maximum strength and durability. Cutting knives are hand sharpened for long-lasting edge and perfect alignment. Plastic dipped, contoured handles are sized and shaped for efficient use. You can cut wire, strip wire, and crimp connection with just one tool.

PM-901 Lineman's Plier

OAL:215 Unit:mm

- Cutting edge: HRC: 60±2
- Cutting capacity: steel wire ϕ 2.6mm(.10")
- High leverage powerful diagonal cutter
- PVC handle

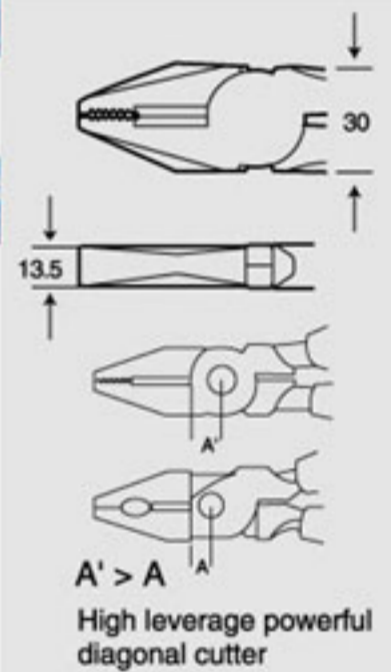


Material	HRC	Application	Weight (g)	Individual Packing
SAE6150	60±2 (Cutting edge)	Piano Wire: ϕ 2.6mm	350	Blister Card

PM-903 Lineman's Plier

OAL:225 Unit:mm

- High leverage powerful diagonal cutter
- Induction hardened cutting ensures maximum durability and long life
- Serrated jaws provides a firm grip
- PVC handle

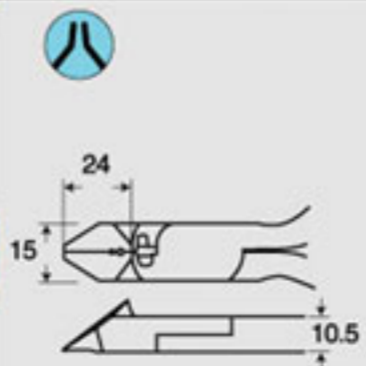


Material	HRC	Application	Weight (g)	Individual Packing
SAE6150	60±2 (Cutting edge)	Piano Wire: ϕ 2.6mm	405	Blister Card

PM-908 Side Cutting Plier

OAL:160 Unit:mm

- 2 skinning holes and stripping notches to strip insulation
- Strips wires ϕ 1.5mm(.06") ϕ 2.0mm(.078")
- Double leaf spring easy to work

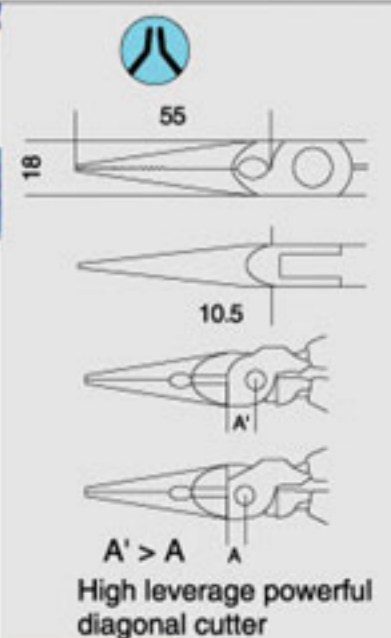


Material	HRC	Application	Weight (g)	Individual Packing
SAE6150	60±2 (Cutting edge)	Steel Wire: ϕ 1.4mm	177	Blister Card

PM-909 Long Nose Plier

OAL:170 Unit:mm

- 1 skinning holes and stripping notches to strip insulation
- Strips wires ϕ 1.5mm(.06")
- Cutting edge: HRC: 60±2



Material	HRC	Application	Weight (g)	Individual Packing
SAE6150	60±2 (Cutting edge)	Piano Wire: ϕ 1.2mm	175	Blister Card