

DN10.17M

Lavoce

1" COMPRESSION DRIVER

NEODYMIUM MAGNET



- 44 mm (1.7 in.) EDGEWOUND CCA VOICE COIL, WITH FIBER GLASS FORMER
- 110 dB SPL 1W/ 1m SENSITIVITY
- 100 W PROGRAM POWER HANDLING (50 W AES)
- FEM OPTIMIZED MOTOR, PHASEPLUG AND DIAPHRAGM
- 1200 - 18000 Hz FREQUENCY RANGE
- POLYESTER DIAPHRAGM

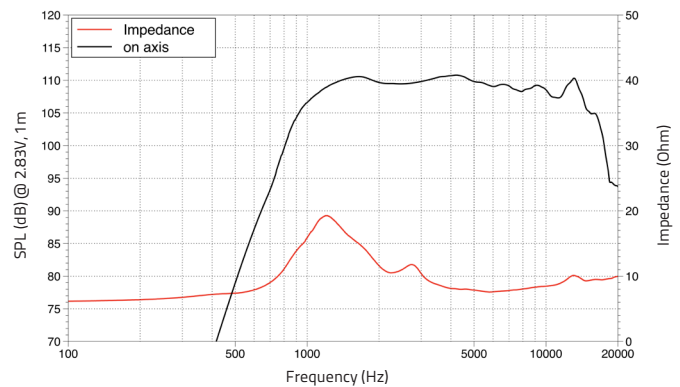
GENERAL SPECIFICATIONS

Throat diameter	mm (in.)	25,4 (1)
Nominal impedance	Ω	8
Minimum impedance	Ω	7,3
Program power (1)	W	100
AES Power rating (2)	W	50
Sensitivity (3)	dB	110,0
Frequency range	Hz	1200 ÷ 18000
Voice coil diameter	mm (in.)	44,4 (1.7)
Magnet material	Neodymium	
Magnet OD	mm (in.)	85 (3.3)
Coil material	Edgewound flat copper clad aluminium wire	
Former material	Fiber Glass	
Diaphragm material	Polyester	
Surround material	Polyester, vented	
Voice coil Inductance	mH	0,09
Flux density	T	1,9
Recommended crossover (4)	Hz	1600

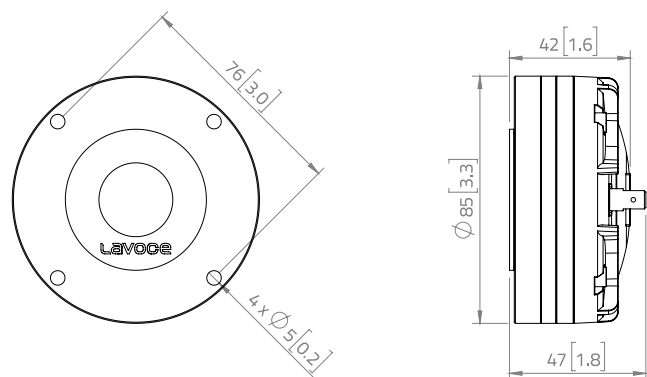
SHIPPING INFORMATION

Net weight	Kg (lb.)	0,87 (1.99)
Multipack size (9)	mm x mm x mm (in. x in. x in.)	367 x 367 x 94 (14.5 x 14.5 x 3.7)
Multipack weight	Kg (lb.)	8,72 (18.8)

FREQUENCY RESPONCE



DIMENSIONS mm (in.)



(1) Program power is defined as 3 dB greater than AES Power. (2) Horn loaded test for 2h with continuous, band-limited (1600-20000 Hz, 12dB/oct.) pink noise as per AES 2-1984 Rev. 2003. (3) Measured on axis at 2.83V, 1m, driver loaded with 90° x 40° horn, SPL averaged in the frequency range 1200 ÷ 18000 Hz. (4) High pass filter with slope 12dB/oct. or higher.

WWW.LAVOCESPEAKERS.COM



Lavoce Italiana

sales@lavocespeakers.com sales.cn@lavocespeakers.com