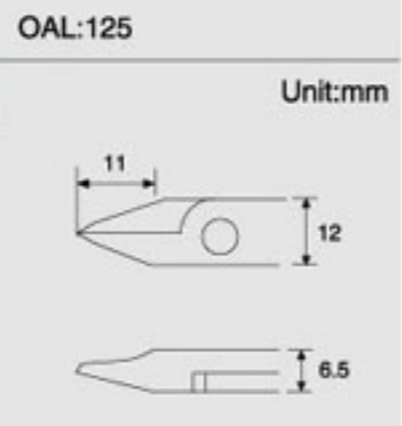


Made from high quality carbon steel

- Made from high quality carbon steel.
- Edges are full cut and recommended for cutting copper and soft lead wires are ideal for precise circuit board work.
- Smooth grip insulation with spring for long comfortable work.

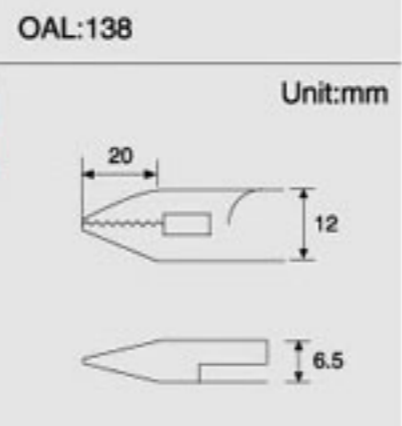
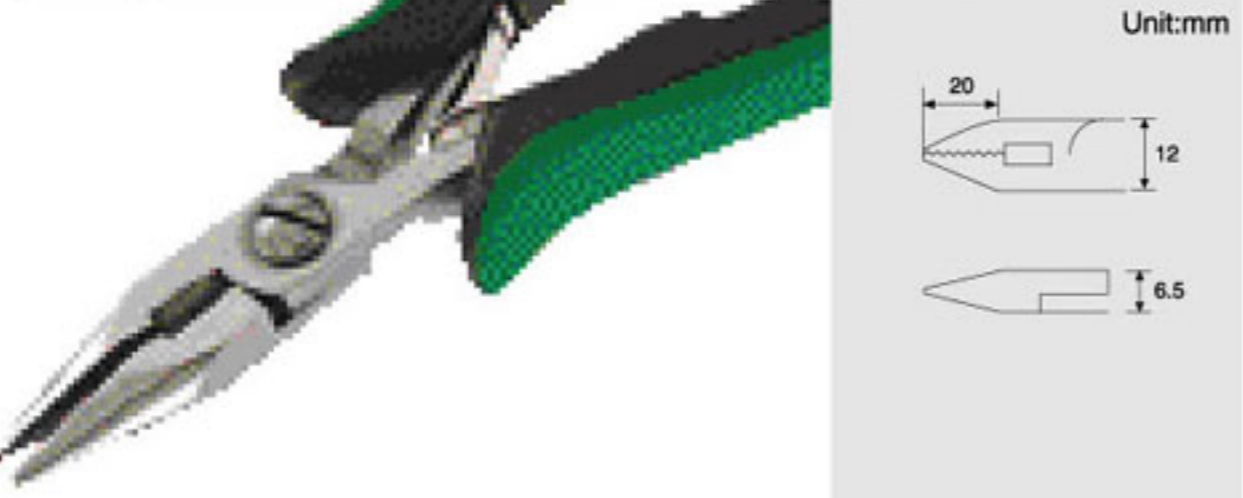


1PK-258A Side Cutter



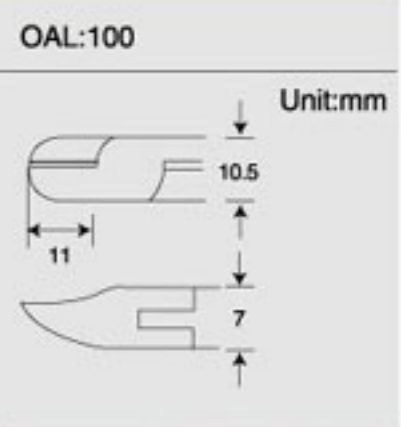
Material	HRC	Application	Weight (g)	Individual Packing
S55C	53±3 (Cutting edge)	Copper 1.0mm	83	Blister Card

1PK-258B Long Nose Plier



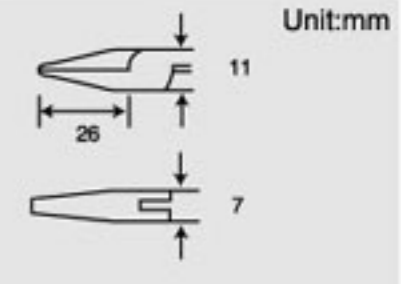
Material	HRC	Application	Weight (g)	Individual Packing
S55C	53±3 (Cutting edge)	Copper 1.0mm	90	Blister Card

1PK-701 Micro Cutting Plier



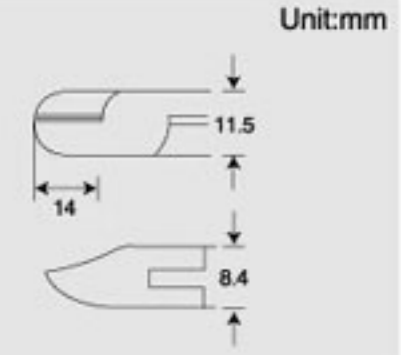
Material	HRC	Application	Weight (g)	Individual Packing
S45C	55±3 (Cutting edge)	Hard steel: 0.8mm	60	Blister Card
		Soft steel: 1.3mm		
		Copper: 1.6mm		

1PK-702 Long Nose Plier



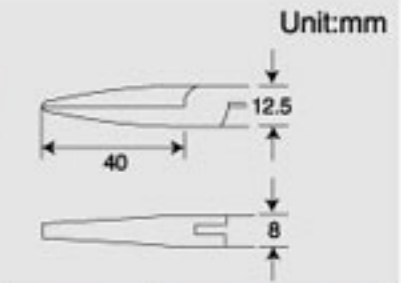
Material	HRC	Weight (g)	Individual Packing
S45C	48±3 (Cutting edge)	60	Blister Card

1PK-705 Diagonal Cutting Nipper



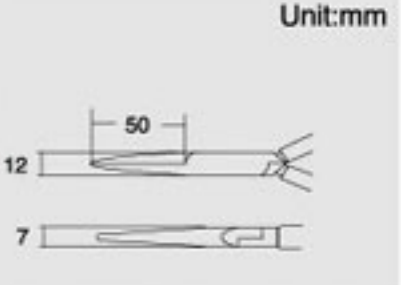
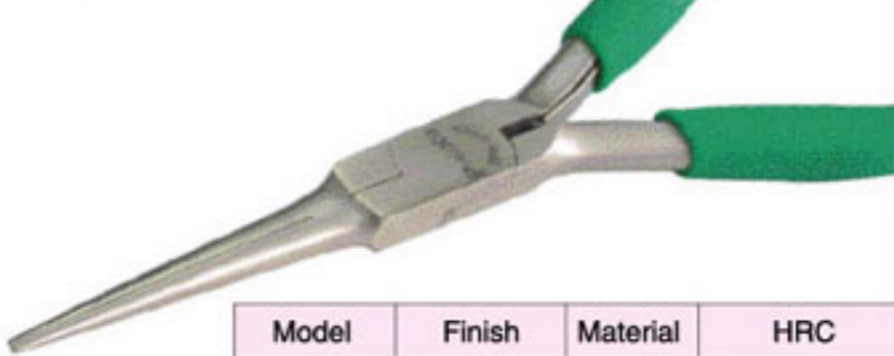
Material	HRC	Application	Weight (g)	Individual Packing
S45C	55±3 (Cutting edge)	Hard steel: 0.8mm	108	Blister Card
		Soft steel: 1.6mm		
		Copper: 2.0mm		

1PK-706 Long Nose Plier



Material	HRC	Weight (g)	Individual Packing
S45C	48±3	88	Blister Card

1PK-046/1PK-046S Needle Nose Plier



Model	Finish	Material	HRC	Weight (g)	Individual Packing
1PK-046	Polishing	S45C	45	72	Blister Card
1PK-046S	Electroplate	S45C	45	72	Blister Card