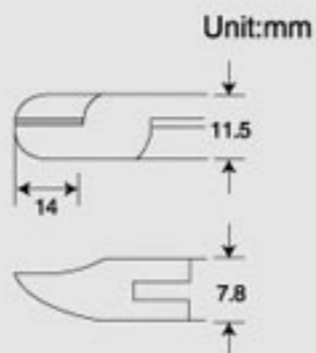
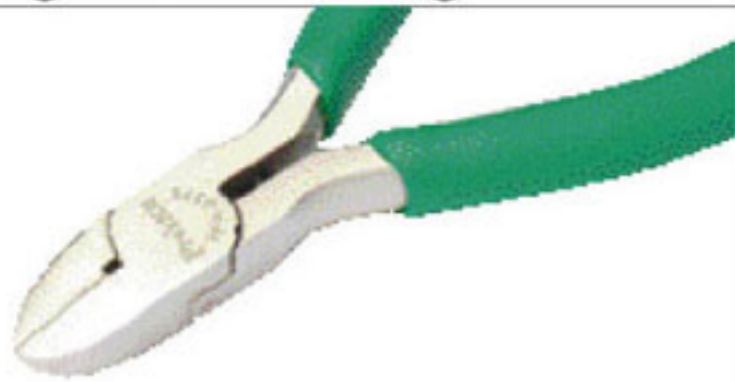


1PK-037S

Diagonal Cutting Plier

OAL:110

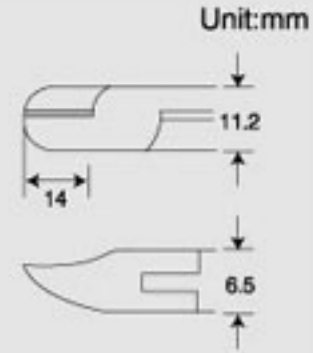


Material	HRC	Application	Weight (g)	Individual Packing
S45C	48±3 (Cutting edge)	Hard steel: 0.8mm	95	Blister Card
		Soft steel: 1.3mm		
		Copper: 1.6mm		

1PK-037D

Dual Color Diagonal Cutting Plier

OAL:125

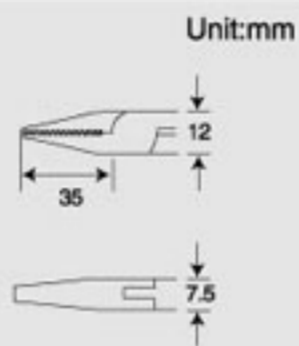


Material	HRC	Application	Weight (g)	Individual Packing
S45C Handle: Orange:PVC Gray: TPR	45±3 (Cutting edge)	Copper1.6mm	56	Blister Card

1PK-036S

Long Nose Plier

OAL:135

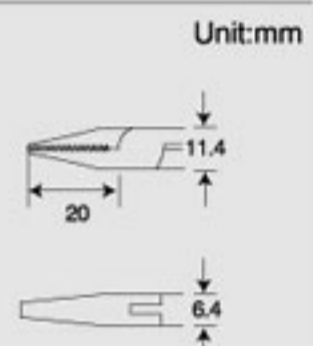


Material	HRC	Weight (g)	Individual Packing
S45C	48±3 (Cutting edge)	95	Blister Card

1PK-036D

Dual Color Long Nose Plier

OAL:137

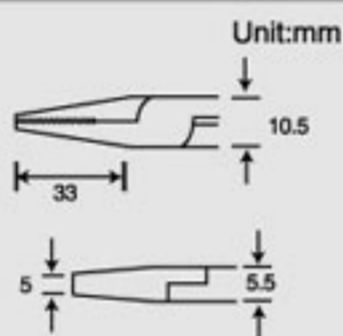


Material	HRC	Weight (g)	Individual Packing
S45C Handle: Orange:PVC Gray: TPR	45±3 (Cutting edge)	62	Blister Card

1PK-054S

Flat Nose Plier

OAL:135

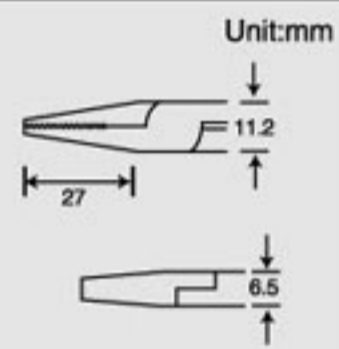


Material	HRC	Weight (g)	Individual Packing
S45C	48±3	110	Blister Card

1PK-054D

Dual Color Flat Nose Plier

OAL:136

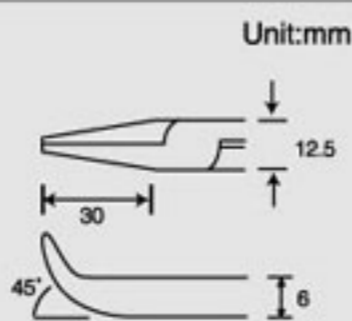


Material	HRC	Weight (g)	Individual Packing
S45C Handle: Orange:PVC Gray: TPR	45±3 (Cutting edge)	62	Blister Card

1PK-055S

Bent Nose Plier

OAL:130

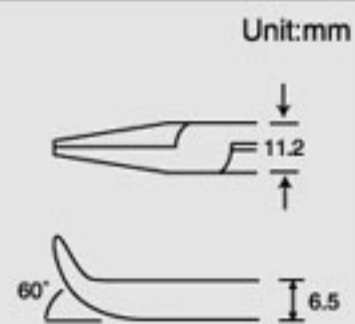


Material	HRC	Weight (g)	Individual Packing
S45C	48±3	95	Blister Card

1PK-055D

Dual Color Bent Nose Plier

OAL:136



Material	HRC	Weight (g)	Individual Packing
S45C Handle: Orange:PVC Gray: TPR	45±3 (Cutting edge)	59	Blister Card