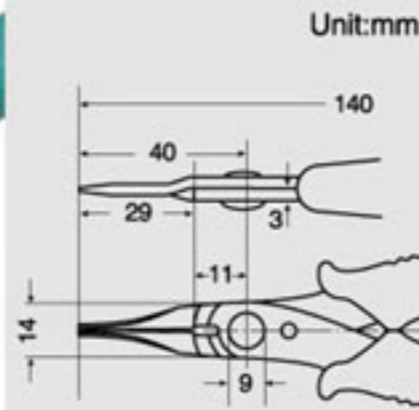


8PK-103D

Round Nose Plier

OAL.:140

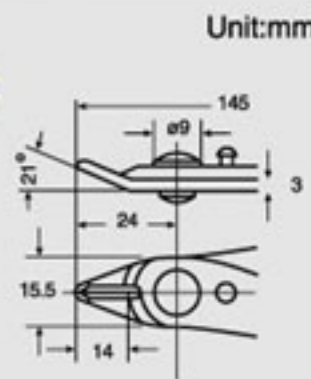


Material	HRC	Weight (g)	Individual Packing
SK7	50±3	86	Blister Card

8PK-101KL

Heavy Duty Cutting Plier

OAL.:145

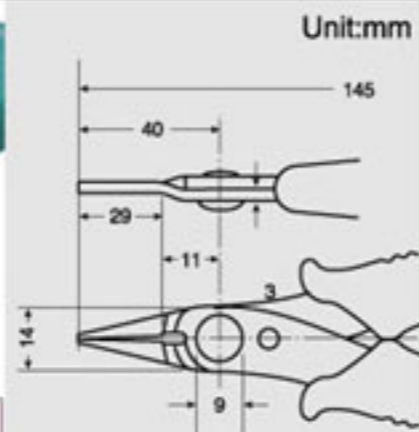


Material	HRC	Application	Weight (g)	Individual Packing
SAE1085	55±3	Copper: 2.3mm Soft steel: 1.2mm	95	Blister Card

8PK-104D

Flat Nose Plier

OAL.:145

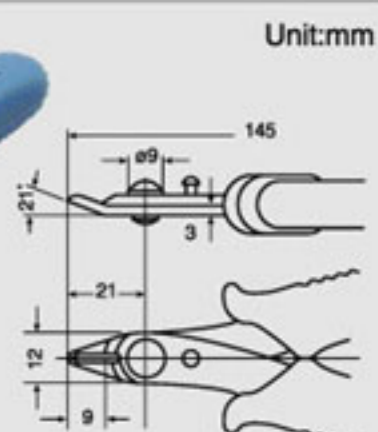


Material	HRC	Weight (g)	Individual Packing
SK7	50±3	88	Blister Card

8PK-101KM/8PK-101KM-C

Heavy Duty Cutting Plier

OAL.:145



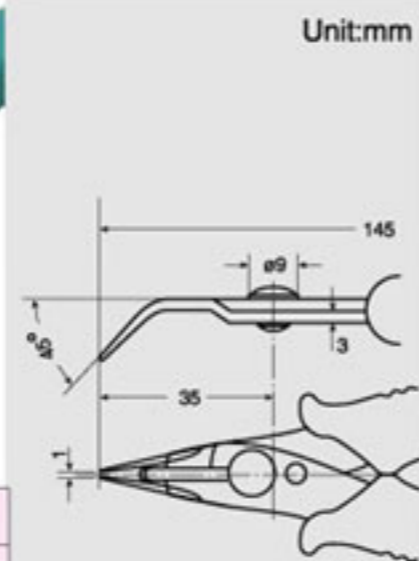
8PK-101KM

Model No.	Material	HRC	Application	Weight (g)	Individual Packing
8PK-101KM	SAE1085	55±3	Copper: 2.3mm Soft steel: 1.2mm	85	Blister Card
8PK-101KM-C				86	

8PK-105D

Bent Nose Plier

OAL.:140

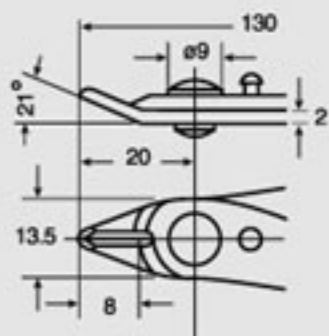


Material	HRC	Weight (g)	Individual Packing
SK7	50±3	89	Blister Card

PM-108

Micro Cutting Plier

OAL.:130

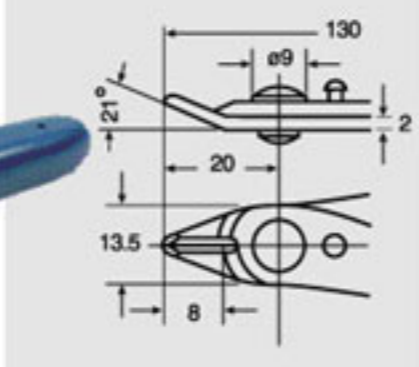


Material	HRC	Application	Weight (g)	Individual Packing
SK5	50±3	Copper: 1.6mm	70	Blister Card

PM-107/PM-107C

Micro Cutting Plier

OAL.:130

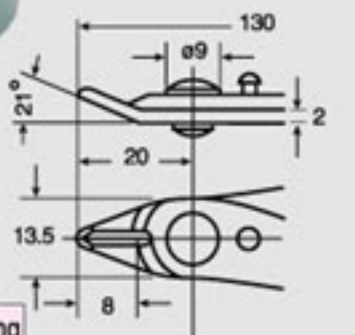


Model No.	Material	HRC	Application	Weight (g)	Individual Packing
PM-107	SK5	50±3	Copper: 1.6mm	72	Blister Card
PM-107C			Soft steel: 0.8mm	73	

8PK-101K/8PK-101K-C

Micro Cutting Plier

OAL.:130



Model No.	Material	HRC	Application	Weight (g)	Individual Packing
8PK-101K	SK5	53	Copper: 1.6mm	84	Blister Card
8PK-101K-C			Soft steel: 0.8mm	84	