

1PK-5101/1PK-5101-C

Heavy Duty Cutting Plier

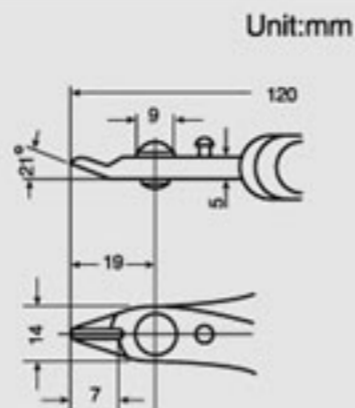
OAL.:120



1PK-5101



1PK-5101-C



Unit:mm

Model	Material	HRC	Application	Weight (g)	Individual Packing
1PK-5101	S50C	50±3	Copper 2.0mm	105	Blister Card
1PK-5101-C					

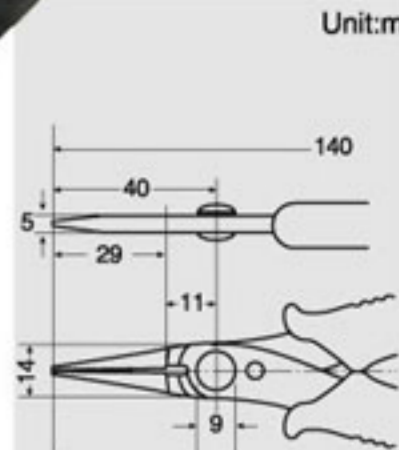
1PK-5102

Heavy Duty Long Nose Plier

OAL.:140



Material	HRC	Weight (g)	Individual Packing
S50C	50±3	111	Blister Card

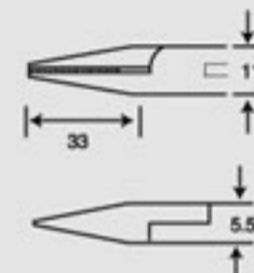


Unit:mm

1PK-256C

Snipe Nose Plier

OAL.:140



Unit:mm

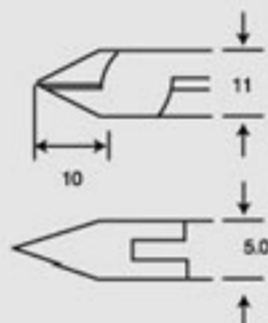
- Double leaf spring
- A range of ergonomic handle design

Material	HRC	Weight (g)	Individual Packing
S45C	48±3	103	Blister Card

1PK-256A

Fine Cutter

OAL.:120



Unit:mm

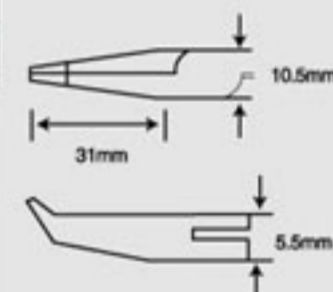
- Double leaf spring
- A range of ergonomic handle design

Material	HRC	Application	Weight (g)	Individual Packing
S45C	48±3	Copper 1.6mm	98	Blister Card

1PK-256D

Bent Nose plier

OAL.:135



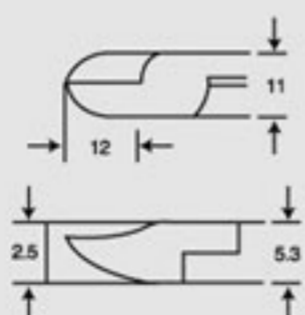
- Double leaf spring
- A range of ergonomic handle design

Material	HRC	Weight (g)	Individual Packing
S45C	48±3	103	Blister Card

1PK-256B

Slim Cutter

OAL.:120



Unit:mm

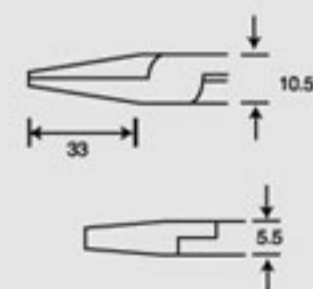
- Double leaf spring
- A range of ergonomic handle design

Material	HRC	Application	Weight (g)	Individual Packing
S45C	48±3	Copper 1.6mm	98	Blister Card

1PK-256E

Flat Nose Plier

OAL.:140



Unit:mm

- Double leaf spring
- A range of ergonomic handle design

Material	HRC	Weight (g)	Individual Packing
S45C	48±3	106	Blister Card