

Special Electronic High Quality



- Made from high quality stainless steel
- Range of high quality cutter and pliers designed to reliable service in production

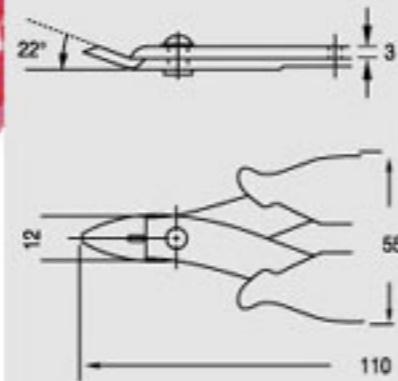
1PK-396A

Cutting Plier

OAL:110



Unit:mm



Material	HRC	Application	Weight (g)	Individual Packing
420K2	48±3	Copper1.3mm	70	Blister Card

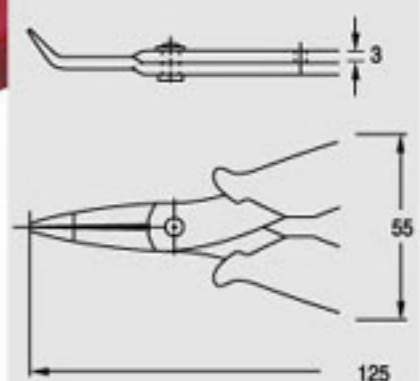
1PK-396D

Bent Nose Plier

OAL:125



Unit:mm



Material	HRC	Weight (g)	Individual Packing
420K2	48±3	70	Blister Card

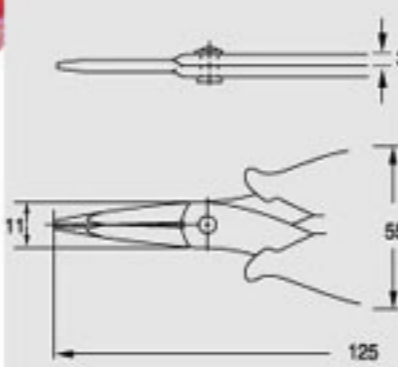
1PK-396B

Long Nose Plier

OAL:125



Unit:mm



Material	HRC	Weight (g)	Individual Packing
420K2	48±3	72	Blister Card

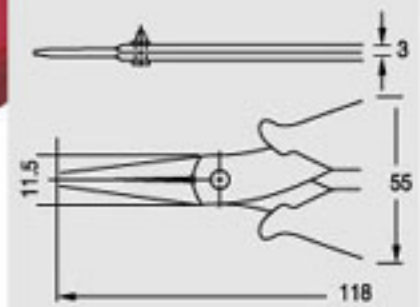
1PK-396E

Straight Nose Plier

OAL:118



Unit:mm



Material	HRC	Weight (g)	Individual Packing
420K2	48±3	70	Blister Card

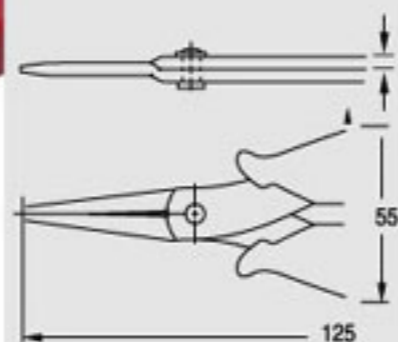
1PK-396C

Flat Nose Plier

OAL:125



Unit:mm



Material	HRC	Weight (g)	Individual Packing
420K2	48±3	70	Blister Card

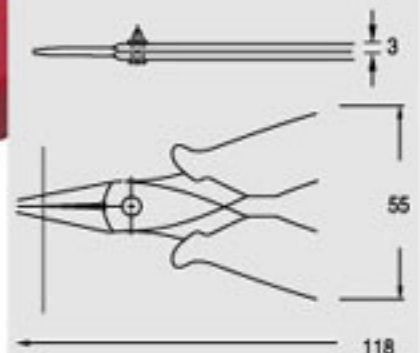
1PK-396F

Combination Plier

OAL:118



Unit:mm



Material	HRC	Weight (g)	Individual Packing
420K2	48±3	73	Blister Card