

## Features:

- Two-way passive speaker with one 6.5" woofer and one 1" driver.
- Cabinet is made from polypropylene and special high-tech material in large injection mold. It's durable, anti-shock and has good damping characters.
- Voice coil in the 6.5" woofer is made from  $\varnothing$  50mm copper cladding aluminium ribbon wire.
- Heavy duty protective grille.
- The high frequency driver is protected by special design circuit to avoid being damaged when overload.
- Rotatable  $90^\circ \times 60^\circ$  (HxV) dispersion horn makes it suitable for any performance purposes.
- Arrayable vertically in 4 layers or horizontally in more than 8 columns.



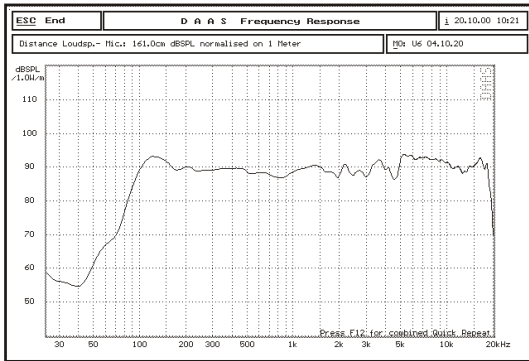
**Beta Three**



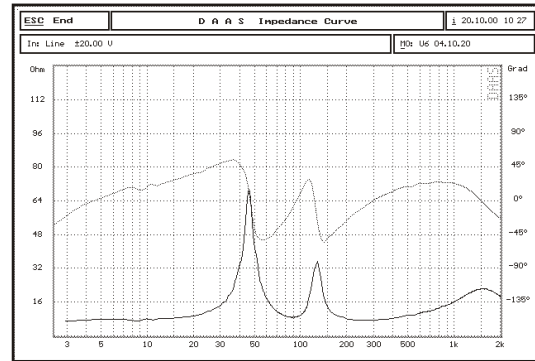
## Model:U6

### Technical Parameters

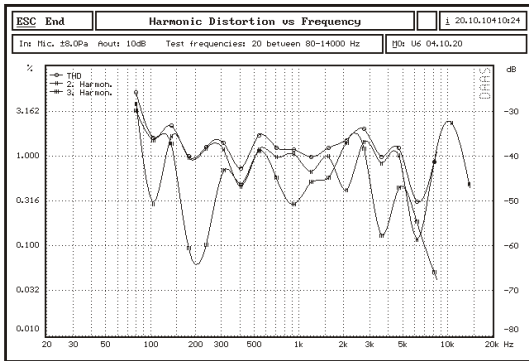
System:	Built-in Crossover Two Way Full Range Speaker
Driver Quantity:	6.5" x1(Bass) 1x $\varnothing$ 25mm Driver
Frequency Response(-3dB):	80Hz-18KHz
Frequency Response(-10dB):	65Hz-20KHz
Sensitivity(dB/1M/1W):	91 dB
Impedance:	8 Ohm
Recommendatory Power(RMS/W):	80 W
Max Sound Level(dB/1M):	110dB
Tweeter Dispersion(HxV):	$90^\circ \times 60^\circ$
Harmonic Distortion:	$\leq 1\%$
Connectors:	1xNL4
Dimensions(WxDxH mm/pcs):	225X211X325mm
Packing Dimensions(WxDxH mm/pair):	480X255X380mm
Net Weight(Kg/pcs):	5.6Kg
Gross Weight(Kg/pair):	13.2Kg



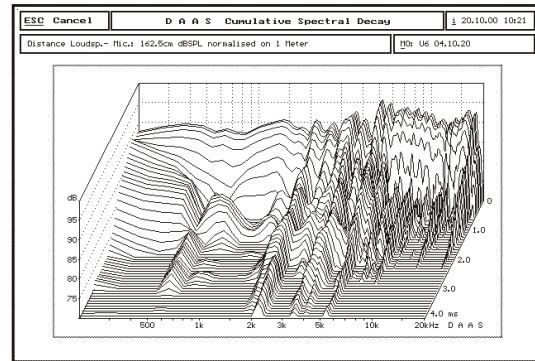
Frequency response, SPL/2.83v



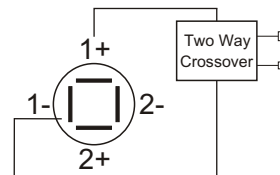
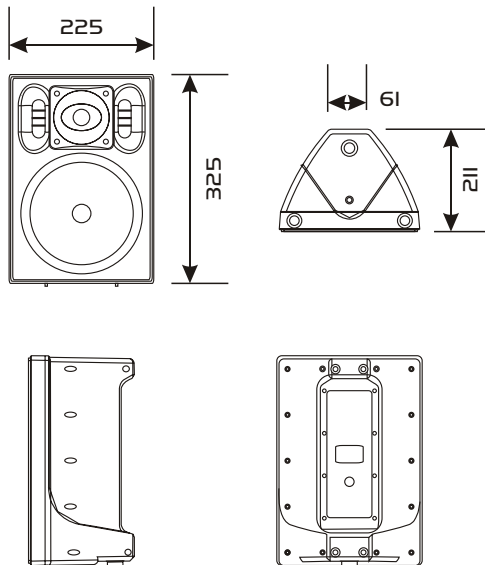
Impedance curve



Harmonic distortion 106dB/2.5m, nominal impedance



Waterfall spectrum analysis



Two Way Crossover

*Cosmetic changes may be made*

