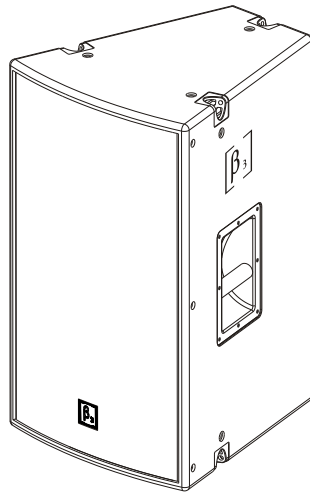




Beta Three

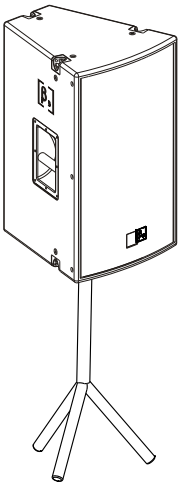
X12i





CONTENTS

FEATURES	1
SPECIFICATION	1
ACOUSTIC CHARTS	2
INSTALLATION	4
DIMENSIONS	4
LIMITED WARRANTY	5



INTRODUCTION

B3 X series speaker is mainly designed for all kinds of rock bar, entertainment bar, club, all kinds of living performance, and portable sound reinforcement applications.

12 inch full range and 15 inch full range speakers are trapeziform design; it will be very convenient to make an array. Selected highintensity plywood has enough strength and can absorb the noise of resonance. Standard mounting&flying system and SPK socket are very easy for the installation and connection.

X Series products are developed and produced by combination of the latest computer stimulation design technology, the latest loudspeaker material and manufacturing technology. All transducers adopt the optimized magnetic circuit having high magnetic energy, low distortion and excellent ventilation/cooling system. LF uses nonlinear thickness long fabric paper cone with waterproof feature and special damping Glue treated, and high power sandwich type voice coil. HF adopts high temperature treated magnalium diaphragm, voice coil with copper cladding aluminum wire and compression cavity designed with linear phase technology. Wide dispersion horn makes sure the excellent sound coverage.

The patented HF protection circuit grantee the high reliability and low distortion.

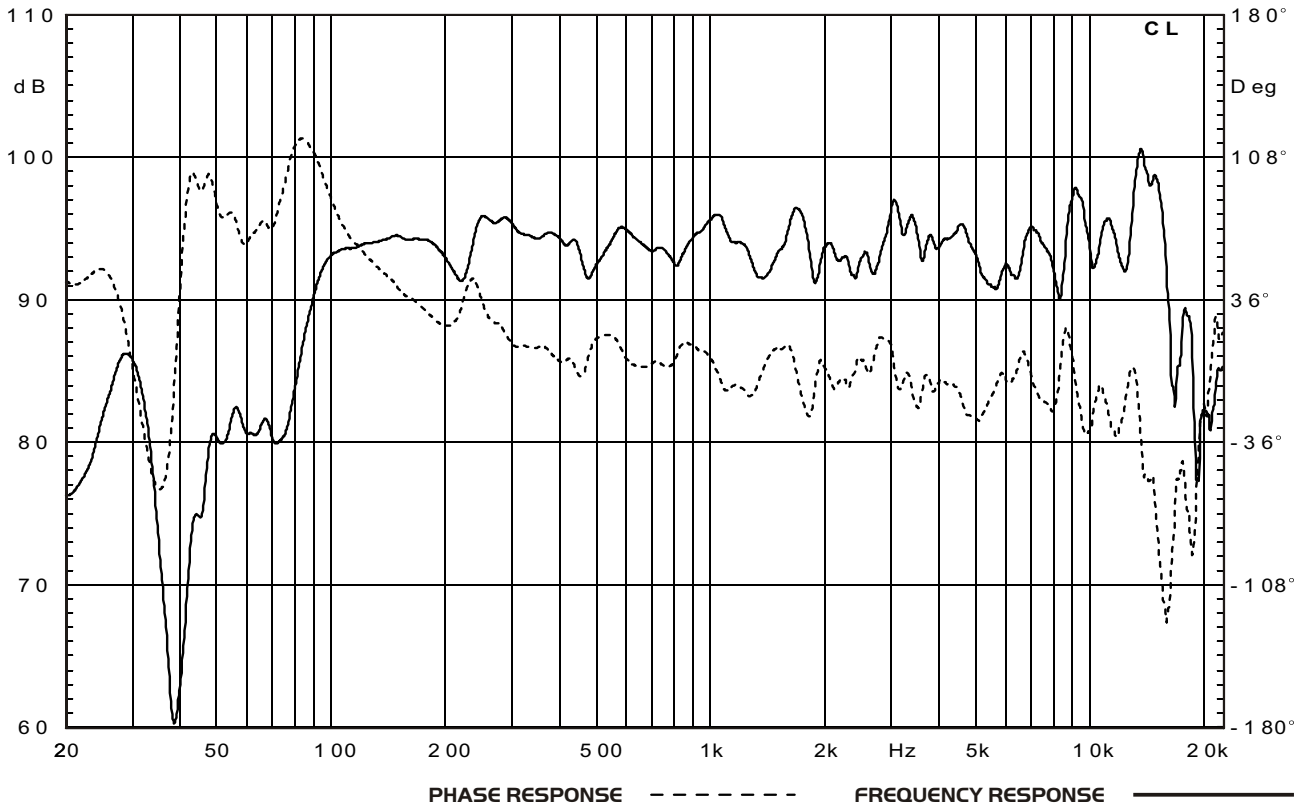
FEATURE

- ◇ 12" high efficient professional speaker with unique LF extension technology, the LF can be lower to 35Hz(SPL-10dB).
- ◇ Computer optimized simulation design make sure the good frequency response and excellent phase feature.
- ◇ Two transducers two way full range speaker with Hi-Fi level performance
- ◇ One 12" professional woofer.
- ◇ One compression driver with 3" magnalium diaphragm.
- ◇ 60X60 wide dispersion horn.
- ◇ Independent crossover circuit for woofer and tweeter, low distortion and interferer.
- ◇ Single Amplifier driving mode.
- ◇ Suitable for the application in rock bar, night club, living performance and portable sound system.

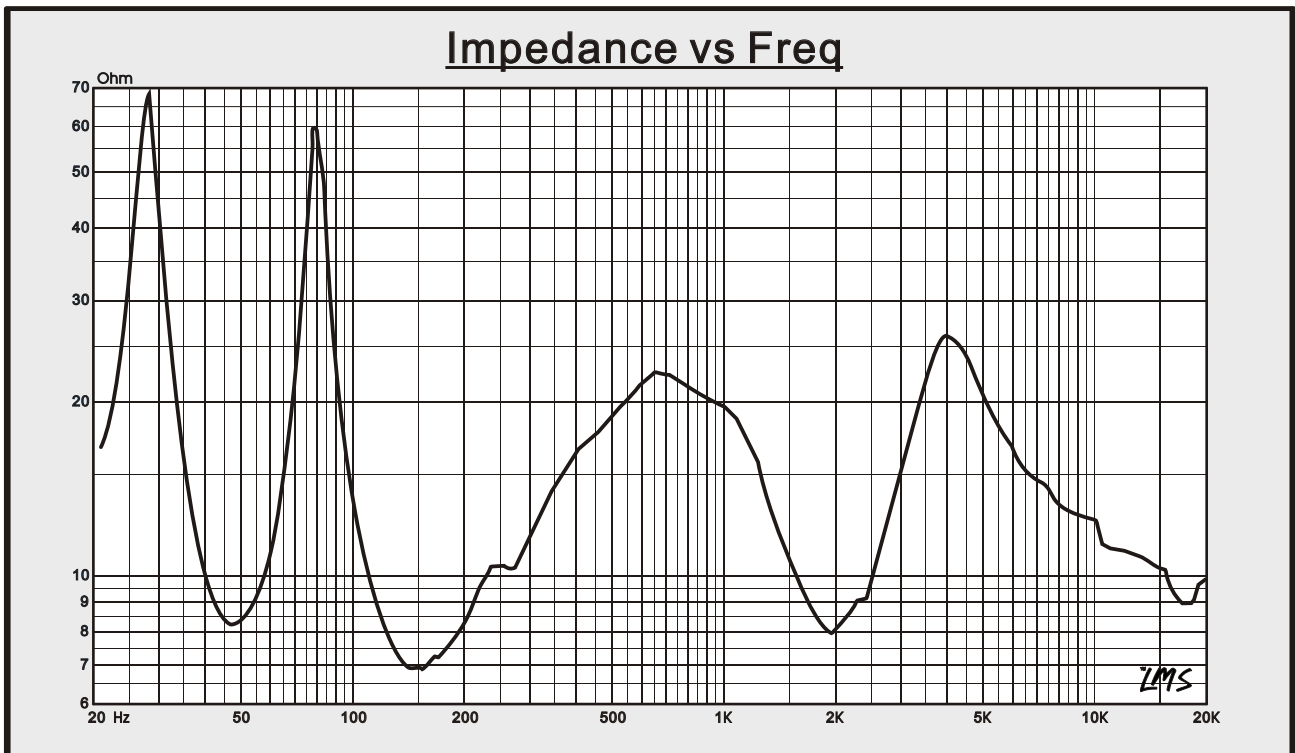
SPECIFICATION

Transducer	LF: 12" × 1 HF: φ75mm × 1
Frequency response(-3dB)	45Hz-18kHz
Sensitivity(1W/1m)	95dB
Crossover Point	1.8kHz
Rated Power (RMS)	300W
Rated Impedance	8Ω
DC impedance	6.3Ω
Dispersion (H × V)	60° × 60°
THD	< 3%
Input Connectors	NL4 × 2, 1+ 1-
Net Weight	27.5kg
Gross Weight	30.0kg
Dimension(W × D × H)	402 × 440 × 650mm
Packing Dimension(W × D × H)	550 × 510 × 770mm

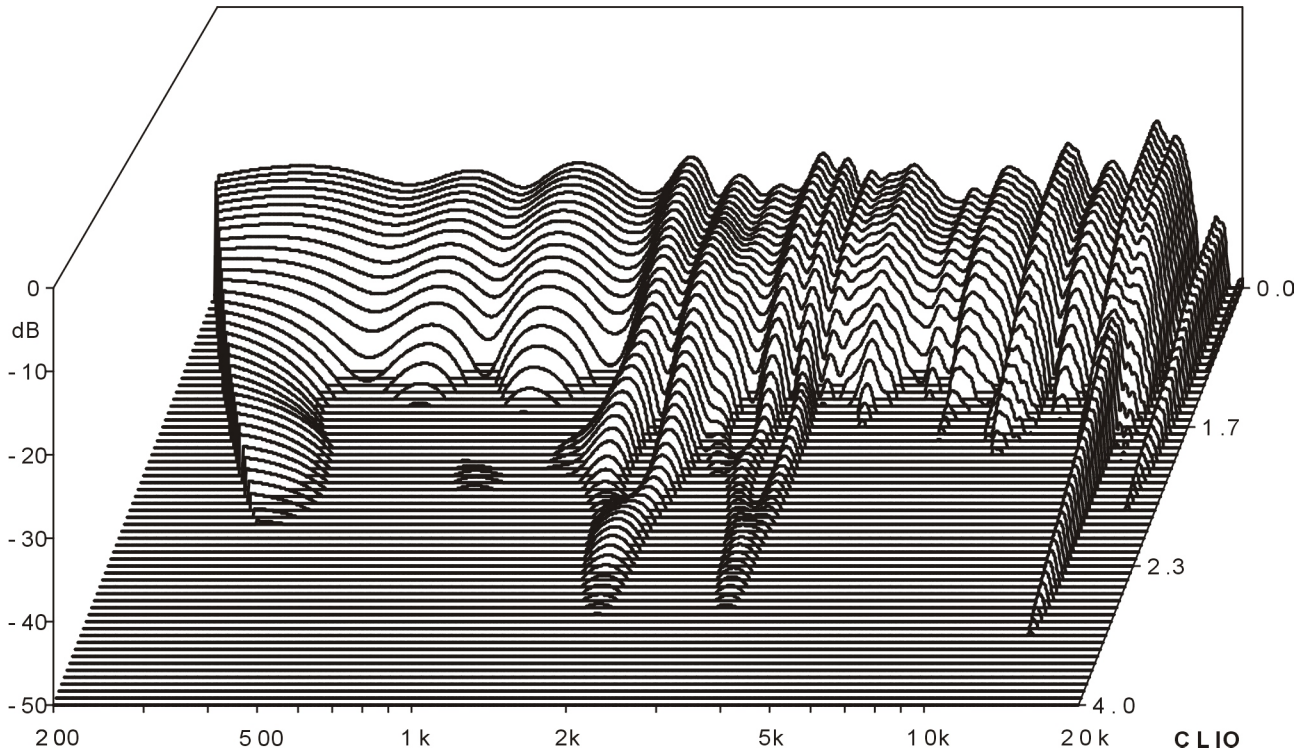
FREQUENCY/PHASE RESPONSE



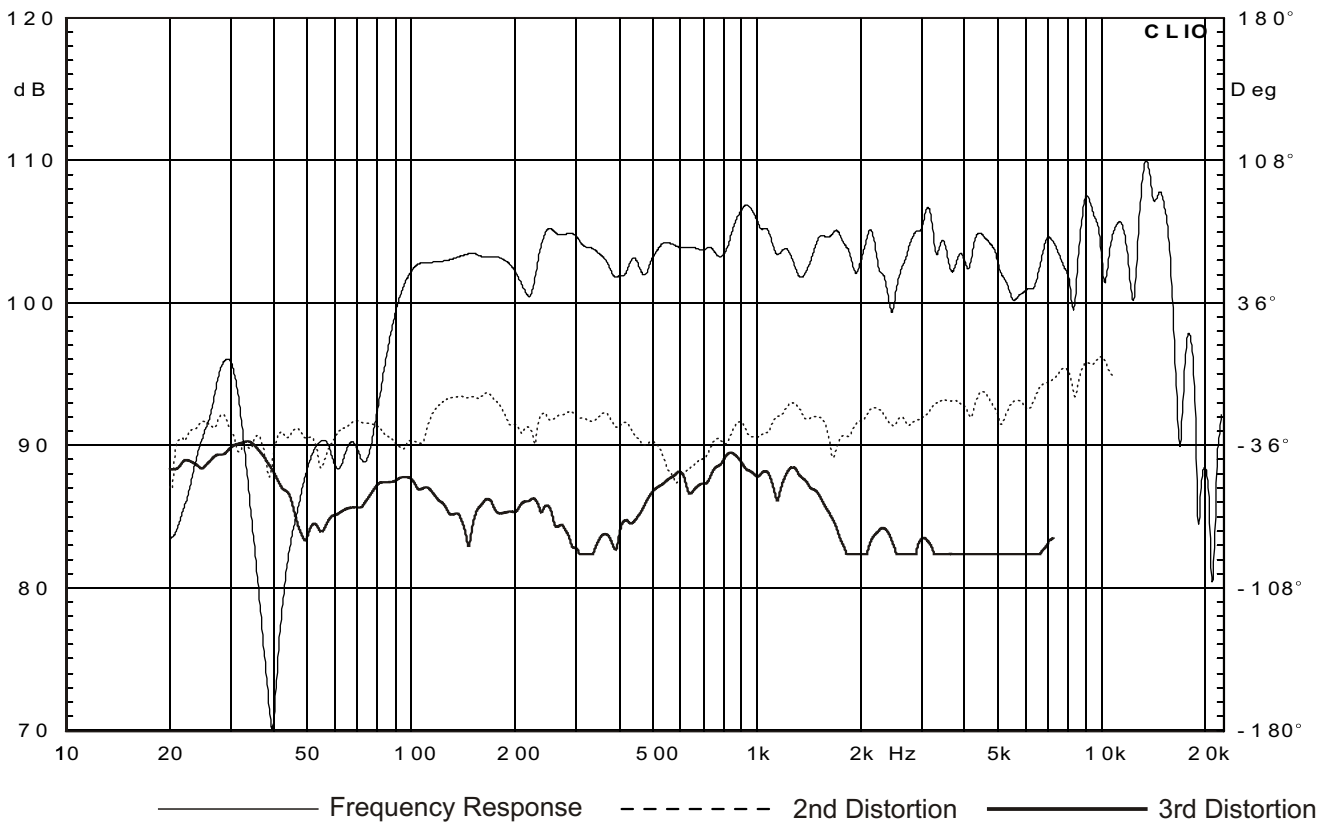
IMPEDANCE RESPONSE-LF



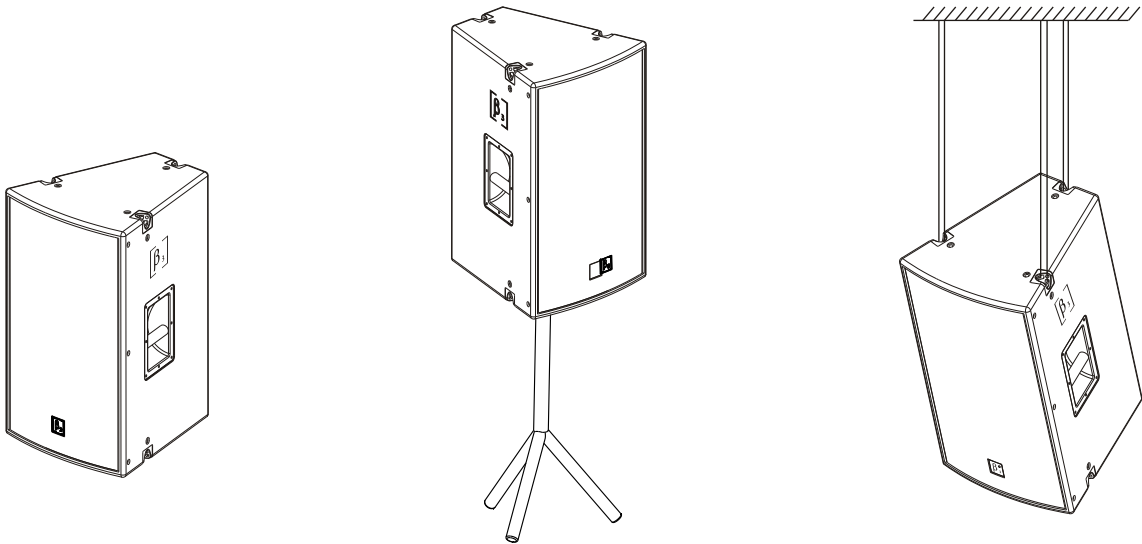
WATERFALL



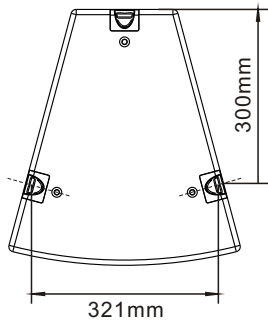
THD



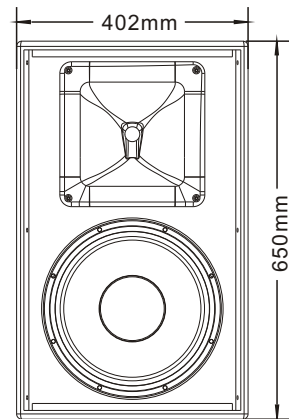
INSTALLATION



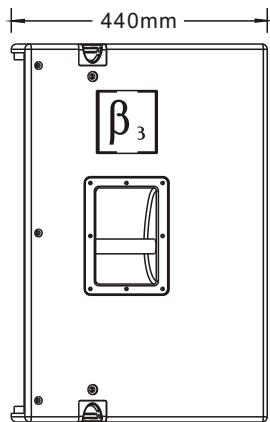
DIMENSIONS



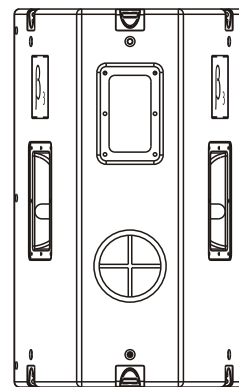
Top view



Front view



Side view



Back view

LIMITED WARRANTY

If malfunction occurs during the specified warranty period from the date of original purchase, the product will be repaired or replaced without charge by Elder Audio.

The Limited Warranty does not apply to:

- (a) exterior finish or appearance;
- (b) certain specific items described in the individual product data sheet or owner's manual;
- (c) malfunction resulting from use or operation of the product other than as specified in the individual product data sheet or owner's manual;
- (d) malfunction resulting from misuse or abuse of the product;
- (e) malfunction occurring at any time after repairs have been made to the product by anyone other than Elder Audio Service or any of its authorized service representatives.

To obtain warranty service, customer must deliver proof of purchase of the product in the form of a bill of sale or receipt invoice.

X12i Speakers and Speaker Systems are guaranteed against malfunction due to defects in materials or workmanship for a period of three (3) years from the date of original purchase. The Limited Warranty does not apply to burned voice coils or malfunctions such as cone and/or coil damage resulting from improperly designed enclosures. Additional details are included in the Limited Warranty statement.

X12i Accessories are guaranteed against malfunction due to defects in materials or workmanship for a period of one (1) year from the date of original purchase. Additional details are included in the Limited Warranty statement.

X12i Flying Hardware (including enclosure-mounted hardware and rigging accessories) is guaranteed against malfunction due to defects in materials or workmanship for a period of one (1) year from the date of original purchase. Additional details are included in the Limited Warranty statement.

Specifications are subject to change without notice.

